

Patavium entrance panel general characteristics

Flush mounting boxes

Zinc-plated metal boxes for the Steely and Patavium series with 2, 3 and 4 modules. For the Patavium series, in the 2-module version the boxes can be combined horizontally, using the brackets supplied as standard with the boxes. It is supplied as standard with an anti-mortar cover for protection during installation.

Frame

The zinc-plated metal frame supplied with the Patavium cover plate is used for fixing the electronic units to the flush mounting box.

Connection terminal block

The terminal block ensures simple and practical connection of the electronic unit to the system with its quick coupling connector.



Cover plates

Audio and audio/video cover plates with 2, 3 and 4 modules in 4 mm thick satin-finish brass. They are fixed directly to the flush mounting box with special Torx screws.



Electronic units

Audio, audio/video electronic units with colour camera. In version with buttons or version with display and alphanumeric keypad, with gold buttons. Fitted with backlighting system white-light LEDs. The button versions can be expanded using the 12TS.B unit.



Patavium entrance panels

Electronic units

Audio and video electronic units combinable with Patavium series to make up entrance panels. Supplied with a standard configuration, they can be customized to suit the particular system. The electronic unit can be programmed from the unit itself, or using programmer 950C, or alternatively, the PC software application SaveProg with interface 692I or 692I/U.

Regulatory compliance

EMC directive
Standards EN 60065, EN 61000-6-1, EN 61000-6-3 and EN 60118-4

13A4.B.43 and 13A7.B.43 - Main characteristics

- Electronic unit with alphanumeric display and white backlighting.
- Alphanumeric keypad for making calls, exploring the electronic contacts list, and configuring basic and advanced parameters of the electronic unit.
- Indication of "Engaged - Please Wait", "Do not disturb" message and operating steps on panel display.
- Electronic contacts list with memory capacity for up to 1000 users (2 names of 15 characters each, per user).
- Automatic configuration of indoor station addresses.
- Audio external unit with sound balance control provided and internal and external volume levels, via configuration menu.
- 13A7.B.43 supplied with colour camera with 1/4" sensor, minimum illuminance 1.0 lux, white LED for subject lighting and manual pan/tilt adjustment.
- 13A4.B.43 with inputs/outputs for connection and control of an external camera, in configuration as video electronic unit.
- Possibility to connect up to 2 12TS.B, for a maximum of 8 buttons for direct calls.
- Power supply: Due Fili Plus Bus.
- Input for additional power supply (6923).
- Output for activation of electric lock (peak current $I_T > 1$ A for 10 ms followed by holding current $I_M = 200$ mA for as long as the lock control remains active).
- 2 outputs for activation of 2 relays 0170/001 operating auxiliary services.
- Input for door open sensor.
- Input for activation of lock by remote control.
- Removable terminal block for connection to system.

Technical data	13A4.B.43	13A7.B.43
Power supply from bus	voltage min. 21 Vdc	voltage min. 21 Vdc
Recording angle	horizontal	84°
	vertical	69°
Opening at 1 m	horizontal	1.8 m
	vertical	1.4 m
Current draw in stand-by	120 mA	120 mA
Max current draw in operation	470 mA	470 mA
Operating temperature	from -10° to +55° C	from -10° to +55° C
additional power supply	with 6923	with 6923

Option of using additional power supply 6923 where necessary (bus voltage at terminals 1 and 2 of electronic unit registering < 21 Vdc).

13F3.B and 13F5.B - Main characteristics

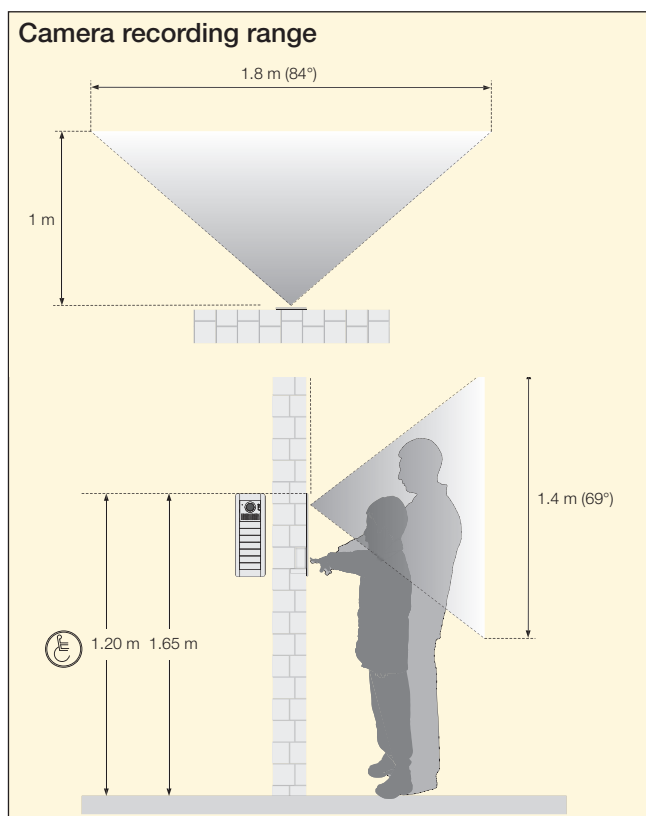
- Electronic unit with 8 call buttons arranged in 2 lines (4+4).
- Facility of increasing the number of call buttons by installing additional module 12TS.B (4 buttons in single line).
- Illuminated "Engaged - Please Wait" signal.
- Automatic configuration of indoor station addresses.
- Audio external unit with sound balance, internal volume and external volume adjustments provided by trimmers.
- 13F5.B supplied with colour camera with 1/4" sensor, minimum illuminance 1.0 lux, white LED for subject lighting and

manual pan/tilt adjustment.

- 13F3.B with inputs/outputs for connection and control of an external camera, in configuration as video electronic unit.
- Basic parameters configurable with the 8 buttons of the electronic unit; configuration of advanced parameters using programmer 950C or alternatively, the PC software application SaveProg.
- Power supply: Due Fili Plus Bus.
- Input for additional power supply (6923).
- Output for activation of electric lock (peak current $I_T > 1$ A for 10 ms followed by holding current $I_M = 200$ mA for as long as the lock control remains active).
- 2 outputs for activation of 2 relays 0170/001 operating auxiliary services.
- Input for door open sensor.
- Input for activation of lock by remote control.
- Removable terminal block for connection to system.

Technical data	13F3.B	13F5.B
Power supply from bus	voltage min. 21 Vdc	voltage min. 21 Vdc
Recording angle	horizontal	84°
	vertical	69°
Opening at 1 m	horizontal	1.8 m
	vertical	1.4 m
Current draw in stand-by	60 mA	60 mA
Max current draw in operation	450 mA	450 mA
Operating temperature	from -10° to +55° C	from -10° to +55° C
additional power supply	with 6923	with 6923

Option of using additional power supply 6923 where necessary (bus voltage at terminals 1 and 2 of electronic unit registering < 21 Vdc).



Patavium entrance panels

Electronic units with alphanumeric keypad and display

- ▲ **13A7.B.43** Due Fili Plus electronic unit for Patavium and Steely colour audio video entrance panel with alphanumeric keypad, display and electronic contacts list, 6400 indoor stations, with white LED backlighting, gold buttons
- ▲ **13A4.B.43** Due Fili Plus electronic unit for Patavium and Steely audio entrance panels with alphanumeric keypad, display and electronic contacts list, 6400 indoor stations, option of connecting to a CCTV type external camera, white LED backlighting, gold buttons



▲ **13A7.B.43**
gold buttons



▲ **13A4.B.43**
gold buttons

Electronic units with buttons

- ▲ **13F5.B** Due Fili Plus electronic unit for colour audio/video entrance panel with conventional buttons, colour camera, BUSY-WAIT indication, 8 buttons in 2 rows (4+4), with white LED backlighting
- ▲ **13F3.B** Due Fili Plus electronic unit for audio entrance panel with conventional buttons, BUSY-WAIT indication, 8 buttons in 2 rows (4+4), option of connecting to a CCTV type external camera, with white LED backlighting



▲ **13F5.B**



▲ **13F3.B**

Additional unit

- ▲ **12TS.B** Additional electronic unit with 4 buttons in 1 row, for electronic units for 1200, 1300, Patavium and Steely entrance panels



▲ **12TS.B**

Patavium entrance panels

Patavium series cover plates

Satin-finish brass audio/video cover plates with frame, for use in conjunction with electronic units and flush mounting boxes to make up entrance panels. The 2-module audio and audio/video cover plates can be extended horizontally, combining them to the additional 2-module cover plates, using flush mounting boxes. The cover plates and boxes are supplied in 3 different heights: 2-, 3- and 4-module.

Regulatory compliance

EMC directive

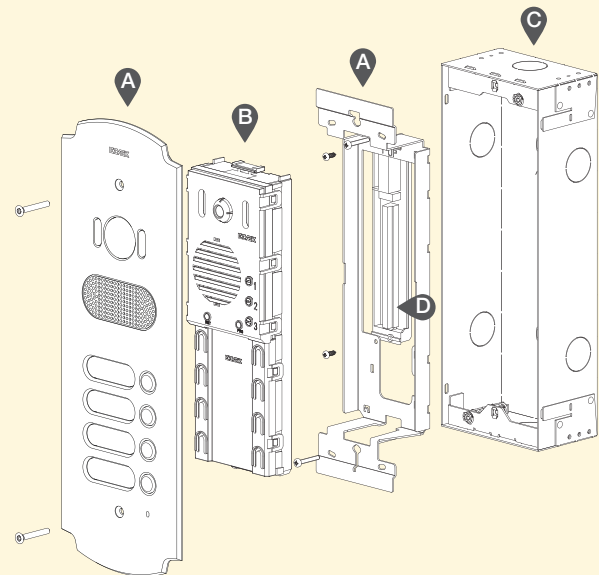
Main characteristics

- 4 mm thick satin-finish brass cover plate.
- IK08 protection rating against impact (cover plates with buttons), IK07 (cover plates for display and alphanumeric keypad) and protection degree IP54.
- 2 special gold coloured steel screws for fixing the cover plate to the frame.
- Buttons carried in transparent impact-resistant polycarbonate support.
- Zinc-plated steel frame.
- Stainless steel buttons.
- Dimensions of 2-module cover plate: 119.8x334x4 mm
- Dimensions of 2-module box: 99.9x270.2x60.6 mm
- Dimensions of 3-module cover plate: 119.8x448x4 mm
- Dimensions of 3-module box: 99.9x384.7x60.6 mm
- Dimensions of 4-module cover plate: 119.8x563x4 mm
- Dimensions of 4-module box: 99.9x499.2x60.6 mm

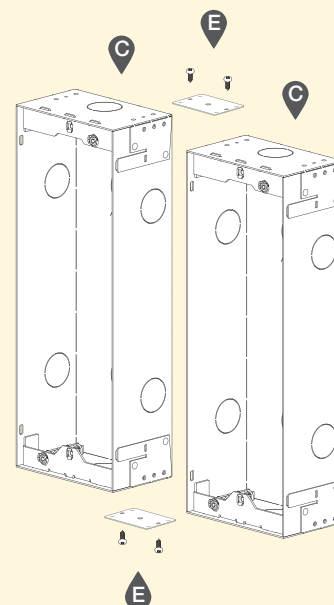
Installations

- A) Cover plate and frame.
- B) Electronic unit.
- C) Flush mounting box.
- D) Electronic unit terminal block.
- E) Brackets for box coupling.

Flush-mounted installation



Flush mounting box coupling



Patavium entrance panels

2 modules audio-video cover plates

▲ 41621	2-module audio-video cover plate with 1 button, Patavium, satin-finish brass
▲ 41622	As above, with 2 buttons
▲ 41623	As above, with 3 buttons
▲ 41624	As above, with 4 buttons
▲ 41641	2-module audio-video cover plate for Due Fili Plus electronic units with alphanumeric keypad, Patavium, satin-finish brass



▲ 41621
satin-finish brass



▲ 41622
satin-finish brass



▲ 41623
satin-finish brass



▲ 41624
satin-finish brass



▲ 41641
satin-finish brass

2 modules audio cover plates

▲ 41601	2-module audio cover plate with 1 button, Patavium, satin-finish brass
▲ 41602	As above, with 2 buttons
▲ 41603	As above, with 3 buttons
▲ 41604	As above, with 4 buttons
▲ 41640	2-module audio cover plate for Due Fili Plus electronic units with alphanumeric keypad, Patavium, satin-finish brass



▲ 41601
satin-finish brass



▲ 41602
satin-finish brass



▲ 41603
satin-finish brass



▲ 41604
satin-finish brass



▲ 41640
satin-finish brass

2 modules additional cover plates

▲ 41642	2-module cover plate with 3 illuminated cards for 11+11+11 names, Patavium, LED lighting, rear card extraction, satin-finish brass
▲ 41643	Additional 2-module cover plate with 8 conventional buttons, Patavium, satin-finish brass



▲ 41642
satin-finish brass

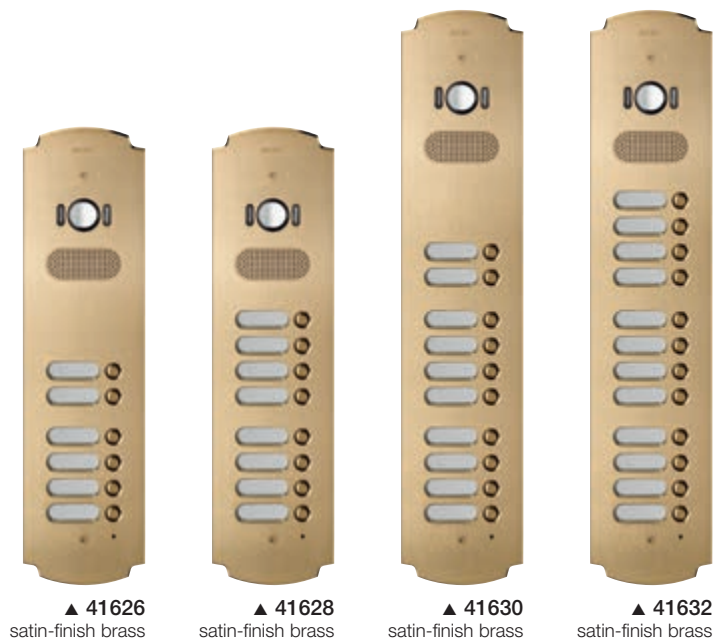


▲ 41643
satin-finish brass

Patavium entrance panels

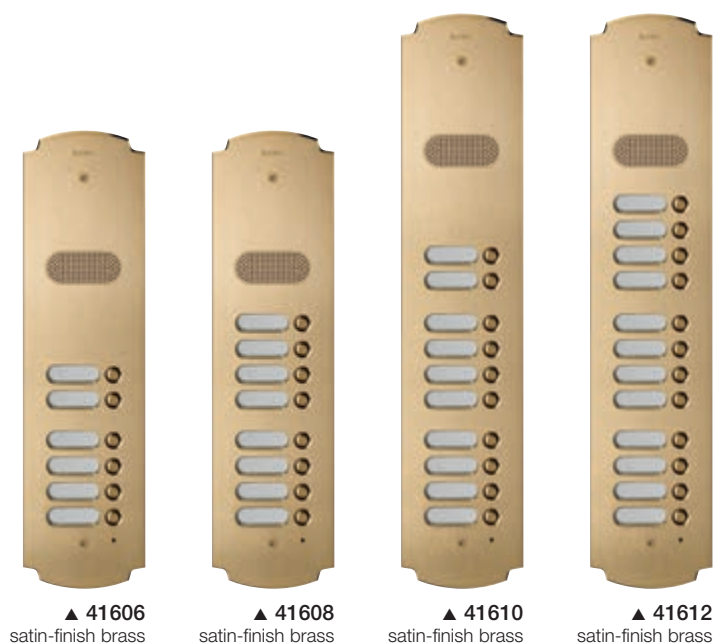
3 and 4 modules audio-video cover plates

▲ 41626	3-module audio-video cover plate with 6 buttons, Patavium, satin-finish brass
▲ 41628	As above, with 8 buttons
▲ 41630	4-module audio-video cover plate with 10 buttons, Patavium, satin-finish brass
▲ 41632	As above, with 12 buttons



3 and 4 modules audio cover plates

▲ 41606	3-module audio cover plate with 6 buttons, Patavium, satin-finish brass
▲ 41608	As above, with 8 buttons
▲ 41610	4-module audio cover plate with 10 buttons, Patavium, satin-finish brass
▲ 41612	As above, with 12 buttons



Patavium entrance panels

Flush mounting boxes

▲ 41592	Zinc-plated metal 2M flush mounting box for Patavium and Steely entrance panels
▲ 41593	Zinc-plated metal 3M flush mounting box for Patavium and Steely entrance panels
▲ 41594	Zinc-plated metal 4M flush mounting box for Patavium and Steely entrance panels



▲ 41592

▲ 41593

▲ 41594